



PIERRE YOVANOVITCH

MOBILIER











MRS OOPS Chair

Materials

FABRIC

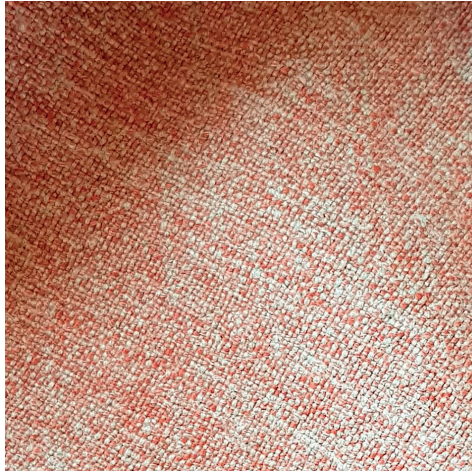
1. Chalk White
2. Nougat Beige
3. Blurred Saffron
4. Abyss Blue



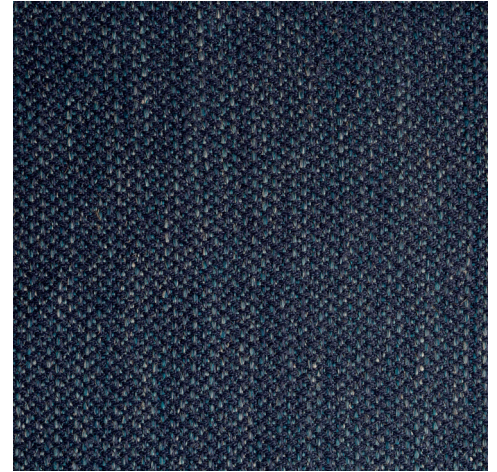
1



2



3



4

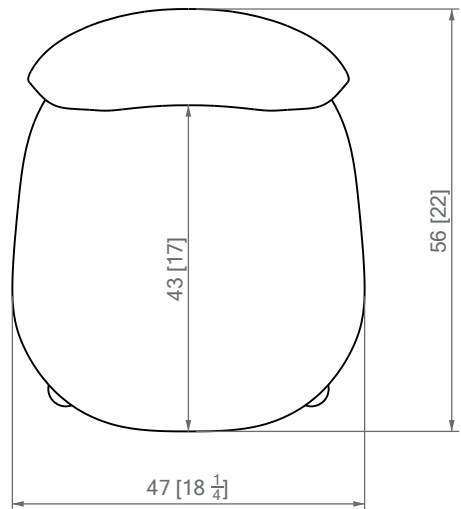
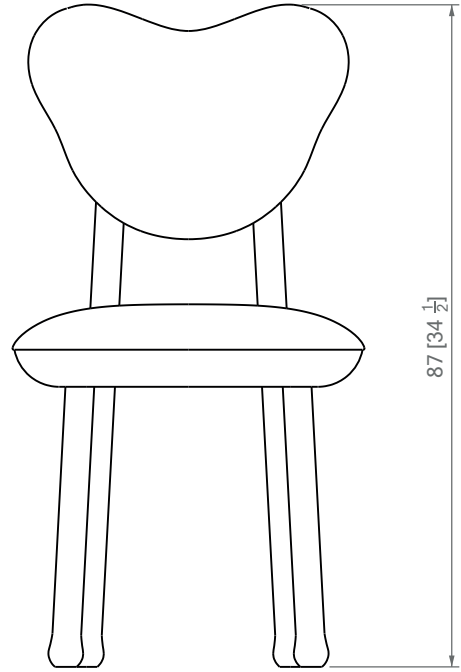
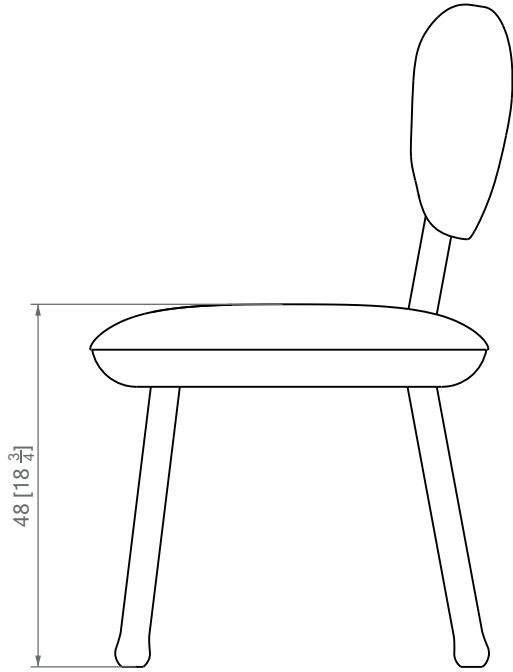
WOOD ESSENCES

1. Oiled Solid Oak

Solid wood is a natural product that responds to changes in temperature and humidity by expanding and contracting. Variation in graining, color and texture are inherent and to be expected.



1



PIERRE YOVANOVITCH
MOBILIER