



PIERRE YOVANOVITCH

MOBILIER



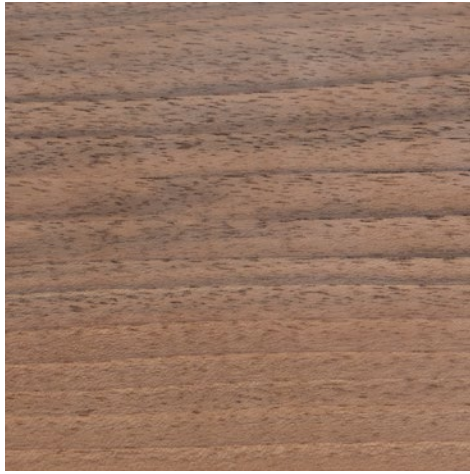




WOOD ESSENCES

- 1. Solid walnut, natural varnished finish

Solid wood is a natural product that responds to changes in temperature and humidity by expanding and contracting. Variation in graining, color and texture are inherent and to be expected.



1

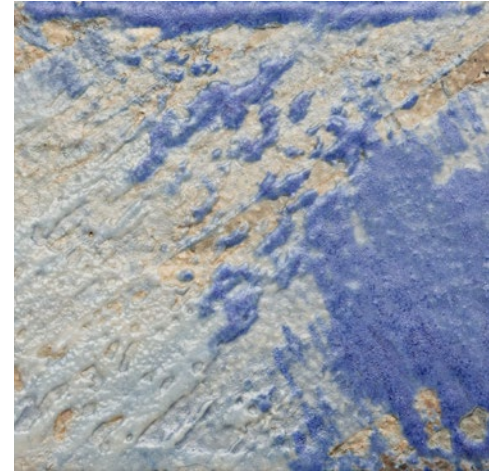
GLAZED STONEWARE

- 1. Comporta White
- 2. Monet Blue
- 3. Soulages Black

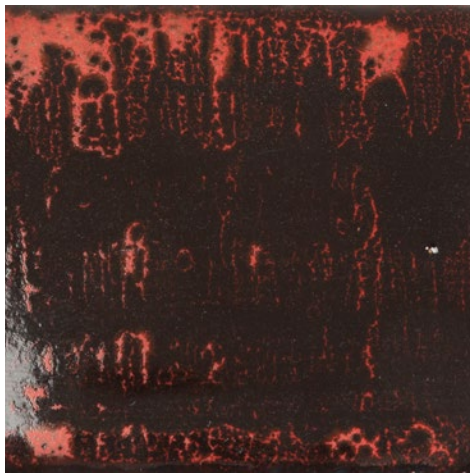
All ceramics are handmade and integrate traditional methods to texture, fire and glaze one piece at a time. Expect minor distinctions that will make each piece unique and truly one of a kind.



1



2

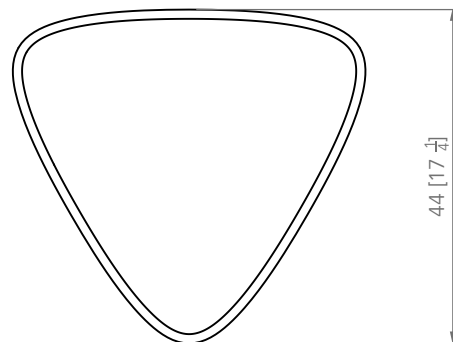
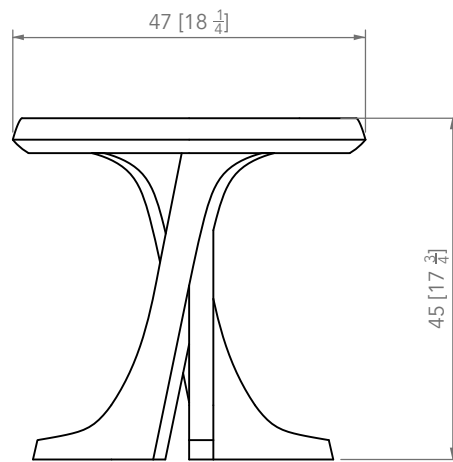


3

ALICE Stool

Plans

Weight : 5 kg



P Y  
MOBILIER

PIERRE YOVANOVITCH  
MOBILIER