

WOODY Armchair

Solid walnut & fabric | H. 75 × L. 100 × l. 82 cm | H. 29.5 × W. 39.5 × D. 32.3 in



PIERRE YOVANOVITCH

MOBILIER





WOODY Armchair



P Y
MOBILIER





WOODY Armchair

Materials

FABRIC

1. Chiné Beige
2. Concrete Grey
3. Tosca Blue
4. Yeti White



1



2



3



4

WOOD ESSENCES

1. Turboplaned solid walnut, natural finish

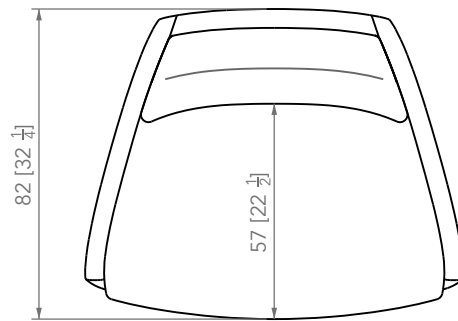
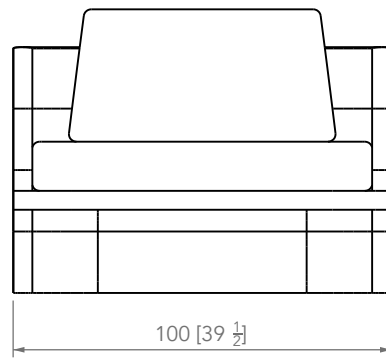
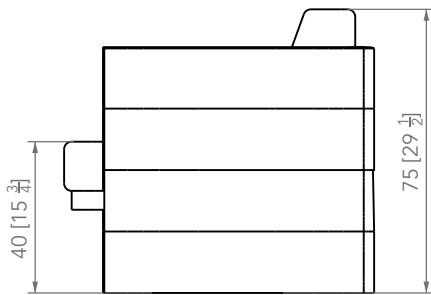
Solid wood is a natural product that responds to changes in temperature and humidity by expanding and contracting. Variation in graining, color and texture are inherent and to be expected.



1

Weight : 52 kg

Fabric requirements: 4 ml | 4.4 yd



PIERRE YOVANOVITCH
MOBILIER