



PIERRE YOVANOVITCH

MOBILIER







METAL

- 1. Brushed Brass



1

GLASS

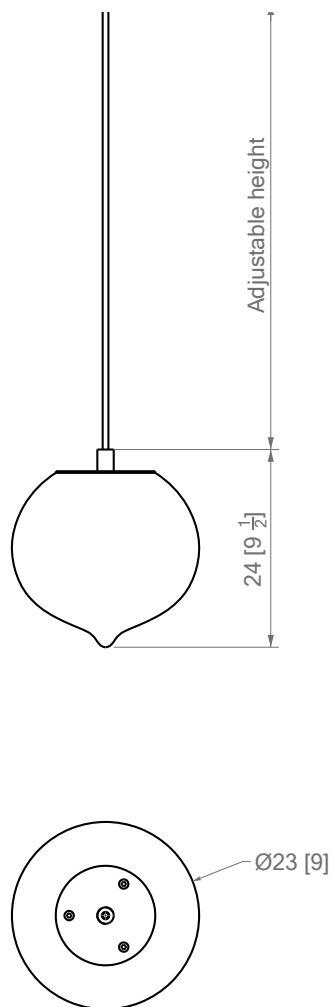
- 1. Hand-blown Frosted Glass

All glass is handmade using traditional methods one piece at a time. There may be variances in shape and color between pieces. Expect minor distinctions that will make each piece unique and truly one of a kind.



1

Pendant  
Designed for indoors  
Directional lighting  
Weight : 3kg  
Bulb type : E26/E27 included, LED,  
2700K, dimmable on request  
110V-220V  
Adjustable on site



PIERRE YOVANOVITCH  
MOBILIER