

MR. OOPS Chair

Solid oak & fabric | H. 90 × L. 46 × l. 56 cm | H. 35.5 × W. 18 × D. 22.3 in



PIERRE YOVANOVITCH

MOBILIER











FABRIC

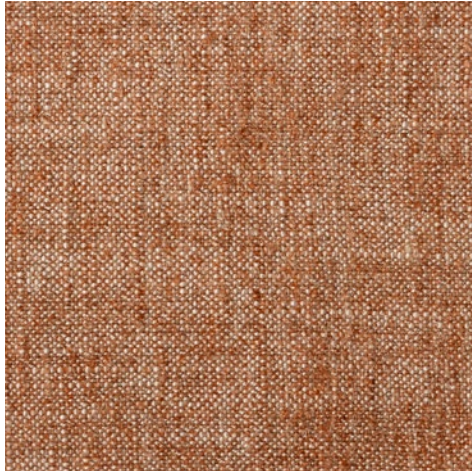
1. Abyss Blue
2. Chalk White
3. Chiné Terracotta
4. Nougat Beige



1



2



3



4

WOOD ESSENCES

1. Solid oak, natural oiled finish

Solid wood is a natural product that responds to changes in temperature and humidity by expanding and contracting. Variation in graining, color and texture are inherent and to be expected.

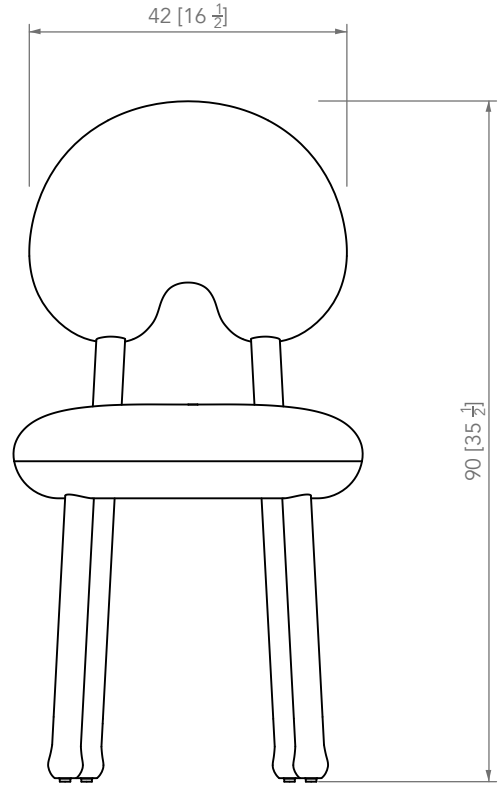
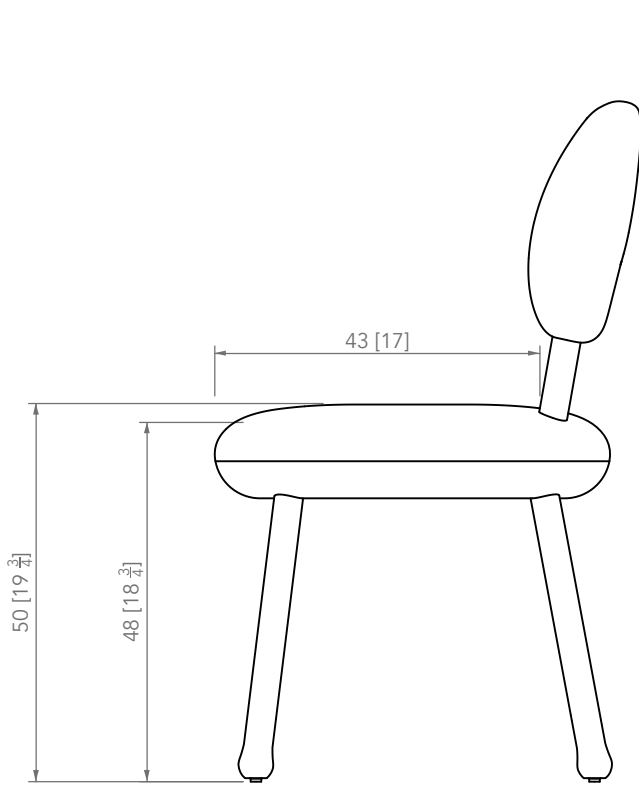


1

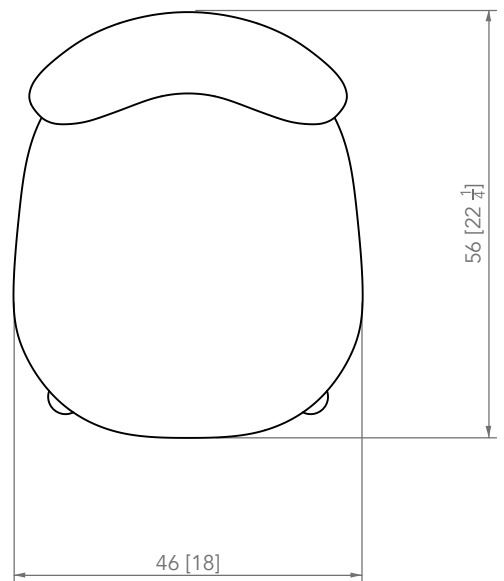
MR OOPS Chair

Weight : 1.2 kg

Fabric requirements: 1.5 ml | 1.7 yd



50 [19 3/4] top of the curved shape  
48 [18 3/4] seat height



PIERRE YOVANOVITCH  
MOBILIER