



PIERRE YOVANOVITCH

MOBILIER







DANIEL Armchair

Materials

FABRIC

1. Concrete Grey
2. Cordelia Pink
3. Macadamia White
4. Serralves Pink
5. Syrena Green



1



2



3



4

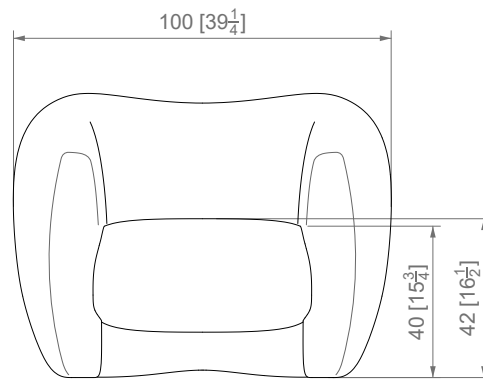
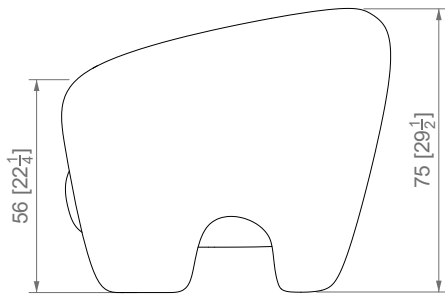


5

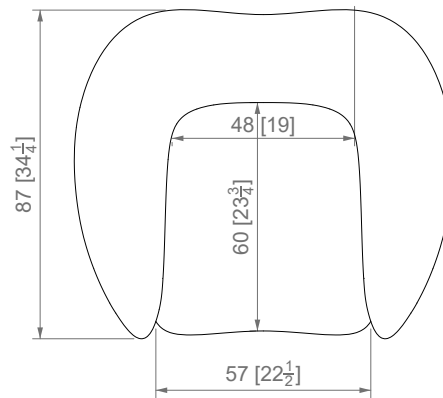
DANIEL Armchair

Weight : 23 kg

Fabric requirements: 6.5 ml | 7.2 yd



42 [16 1/2] top of the curved shape
40 [15 3/4] seat height



P Y

MOBILIER

PIERRE YOVANOVITCH
MOBILIER