



PIERRE YOVANOVITCH

MOBILIER





DOT Ottoman

Materials

FABRIC

- 1. Chelsea Pink
- 2. Chiné Marine
- 3. Lizard Green
- 4. Normandy Beige
- 5. Pyla White
- 6. Yova Blue



1



2



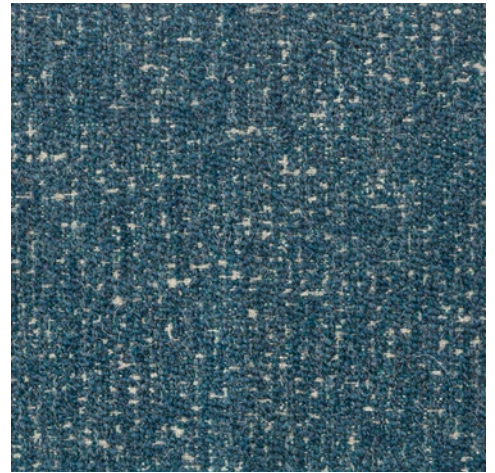
3



4



5



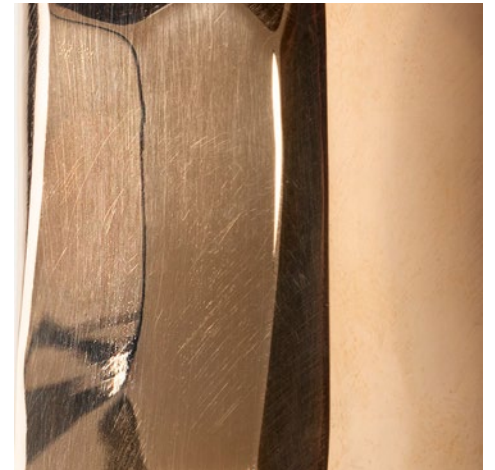
6

METAL

- 1. Hammered bronze, patinated & waxed finish
- 2. Hammered bronze, mirror-polished finish



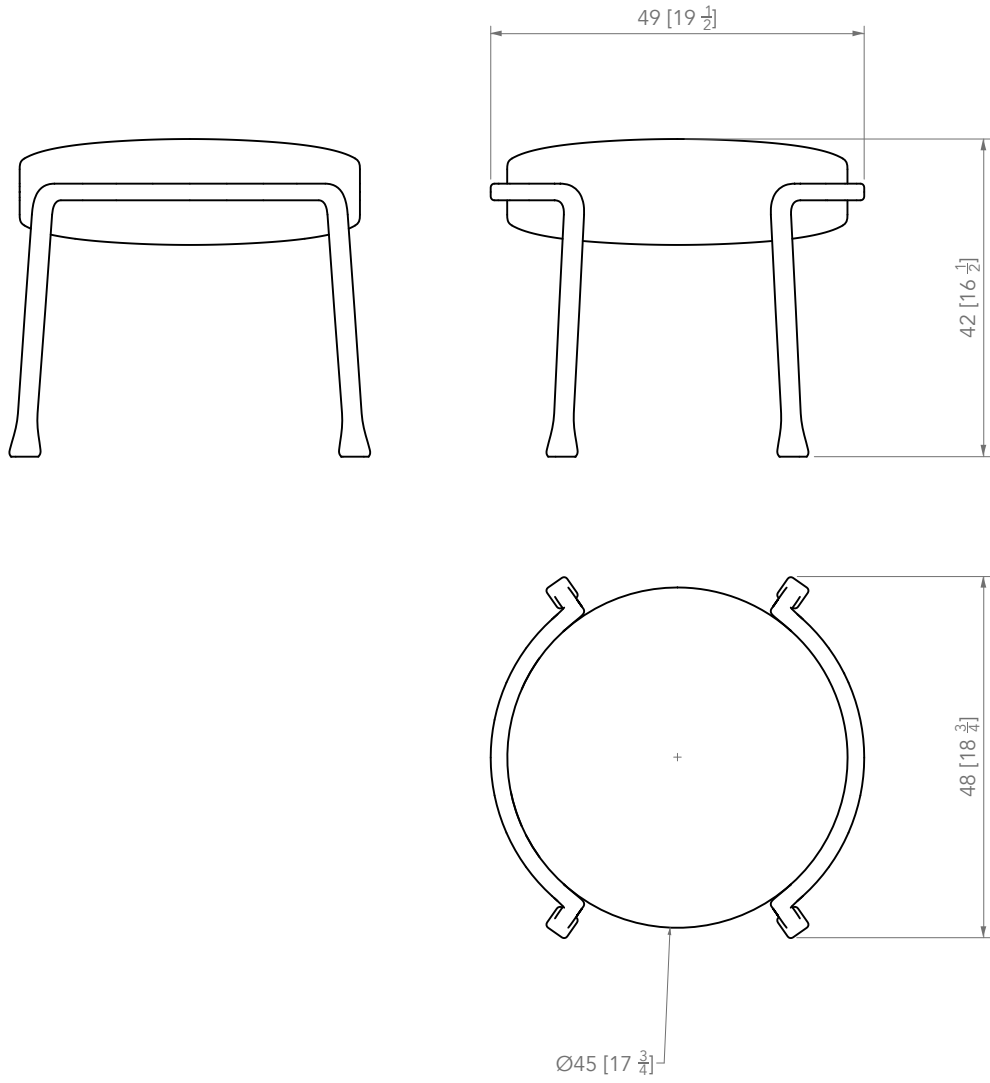
1



2

Weight : 11 kg

Fabric requirements: 1 ml | 1.1 yd



PIERRE YOVANOVITCH
MOBILIER