



PIERRE YOVANOVITCH

MOBILIER











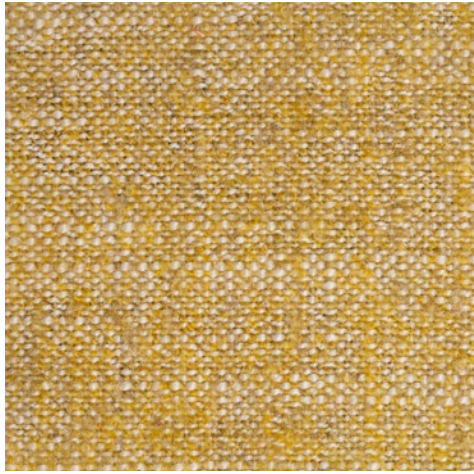


ELOI Armchair

Materials

FABRIC

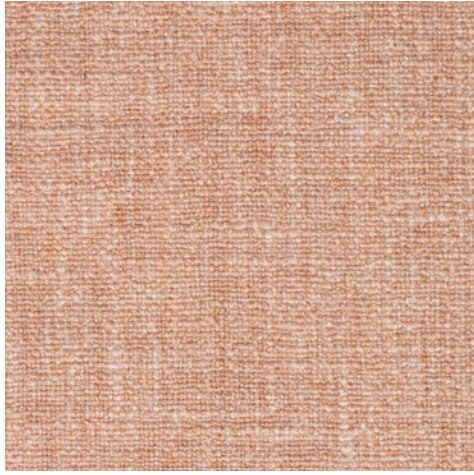
1. Chiné Yellow
2. Pyla White
3. Serralves Pink
4. Tosca Blue



1



2



3



4

WOOD ESSENCES

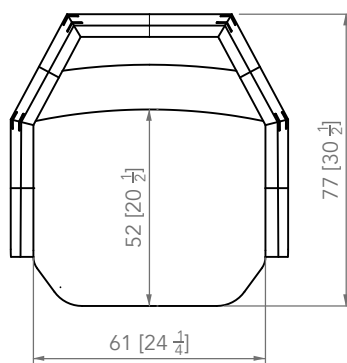
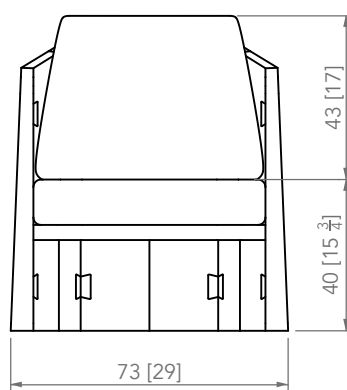
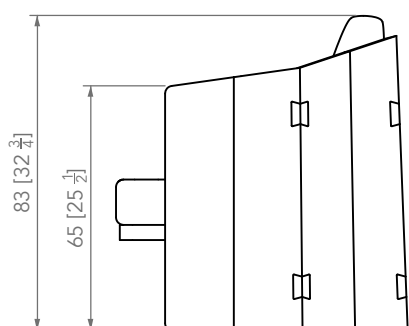
1. Hand-planed (round) solid oak, natural oiled finish

Solid wood is a natural product that responds to changes in temperature and humidity by expanding and contracting. Variation in graining, color and texture are inherent and to be expected.



Weight : 4.0 kg

Fabric requirements: 4 ml | 4.4 yd



PIERRE YOVANOVITCH
MOBILIER