

MAD Bench

Queen | Solid oak & fabric | H. 42 × L. 130 × l. 46cm | H. 16.5 × W. 51 × D. 18 in
King | Solid oak & fabric | H. 42 × L. 180 × l. 46 cm | H. 16.5 × W. 70.8 × D. 18 in



PIERRE YOVANOVITCH

MOBILIER









FABRIC

- 1. Abyss Blue
- 2. Butter White
- 3. Camargue White
- 4. Lizard Green
- 5. Nougat Beige



1



2



3



4



5

WOOD ESSENCES

- 1. Gouged solid oak, natural finish

Solid wood is a natural product that responds to changes in temperature and humidity by expanding and contracting. Variation in graining, color and texture are inherent and to be expected.

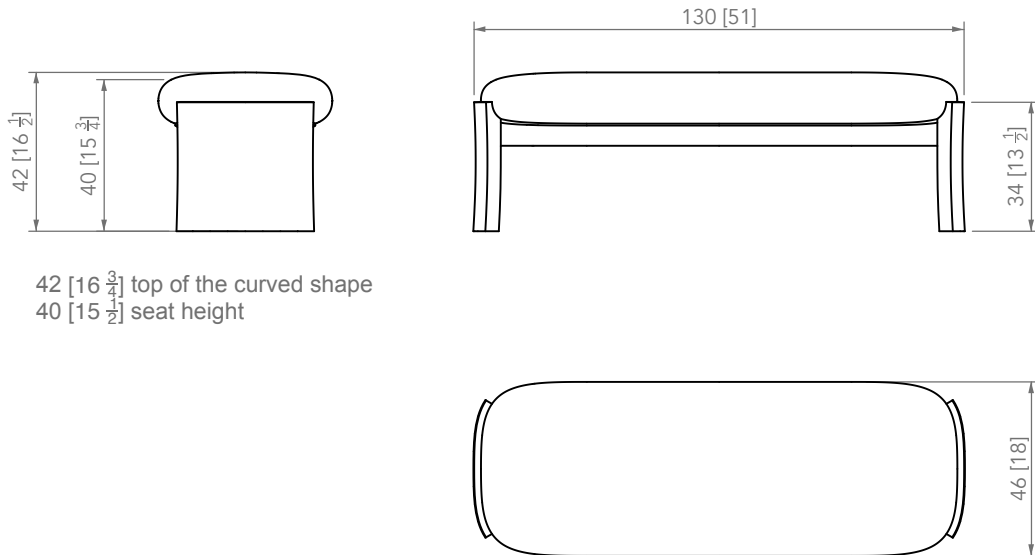


1

Queen

Weight : 25 kg

Fabric requirements: 2 ml | 2.2 yd

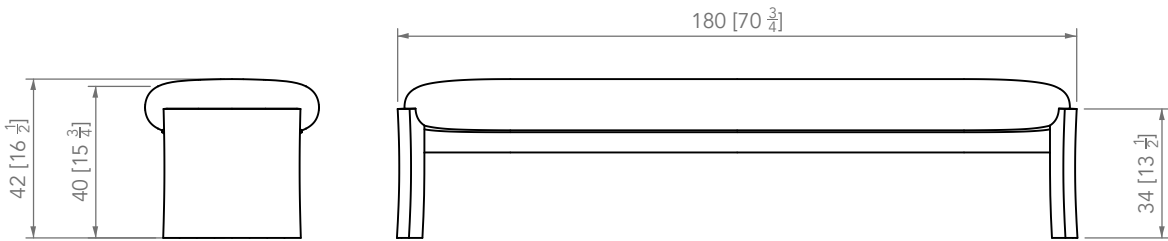


$42 [16 \frac{3}{4}]$ top of the curved shape
 $40 [15 \frac{1}{2}]$ seat height

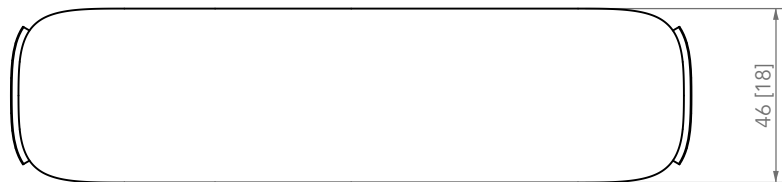
King

Weight : 35 kg

Fabric requirements: 2.5 ml | 2.8 yd



42 [16 3/4] top of the curved shape
40 [15 1/2] seat height



PIERRE YOVANOVITCH
MOBILIER