



PIERRE YOVANOVITCH

MOBILIER













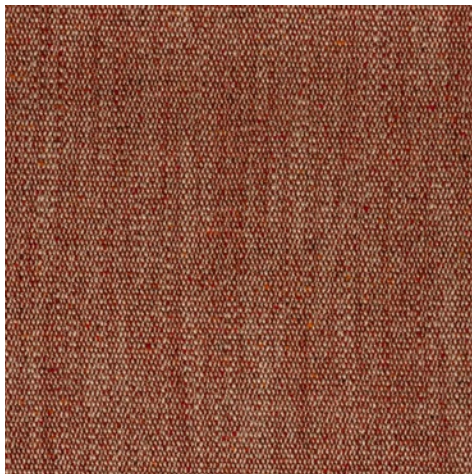




FABRIC

- 1. Blurred Red
- 2. Foam White
- 3. Macadamia White
- 4. Snow Shearling

All sheep skin is handmade using traditional methods one piece at a time. There may be variances in shape and color between pieces. Expect minor distinctions that will make each piece unique and truly one of a kind.



1



2



3



4

WOOD ESSENCES

- 1. Solid oak, natural oiled finish

Solid wood is a natural product that responds to changes in temperature and humidity by expanding and contracting. Variation in graining, color and texture are inherent and to be expected.

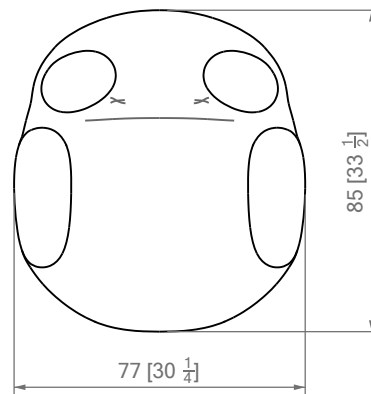
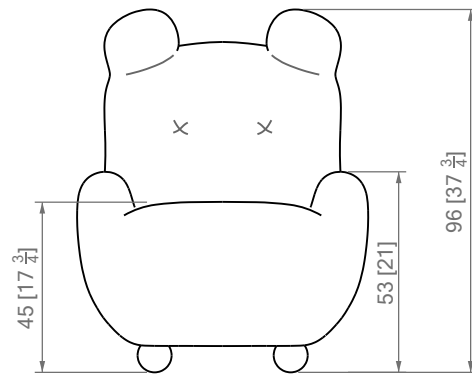
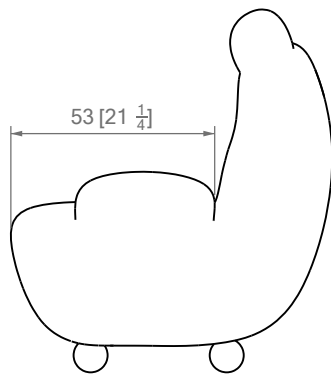


1

MAMA BEAR Armchair

Weight : 25 kg

Fabric requirements: 5 ml | 5.5 yd



P Y

MOBILIER

PIERRE YOVANOVITCH
MOBILIER