

MRS OOPS GIRLFRIEND Chair

Solid oak, fabric & embroidery | H. 88 × L. 47 × l. 57 cm | H. 34.5 × W. 18.3 × D. 22.5 in



PIERRE YOVANOVITCH

MOBILIER













FABRIC

1. Eggshell White

Embroidery by Maison Lesage



1

WOOD ESSENCES

1. Solid oak, natural oiled finish
2. Solid walnut, natural oiled finish

Solid wood is a natural product that responds to changes in temperature and humidity by expanding and contracting. Variation in graining, color and texture are inherent and to be expected.

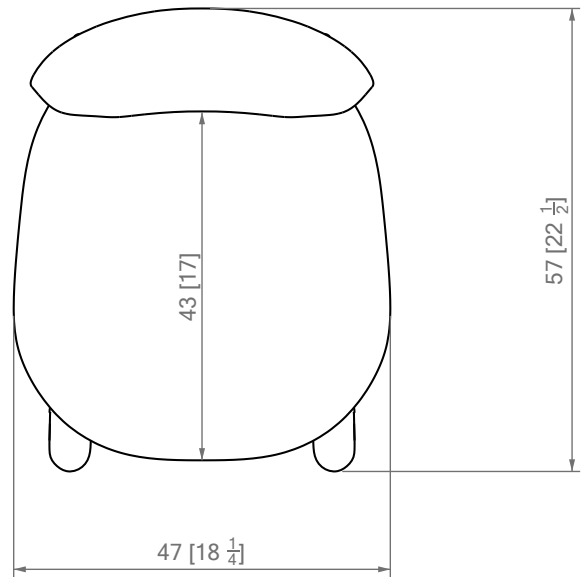
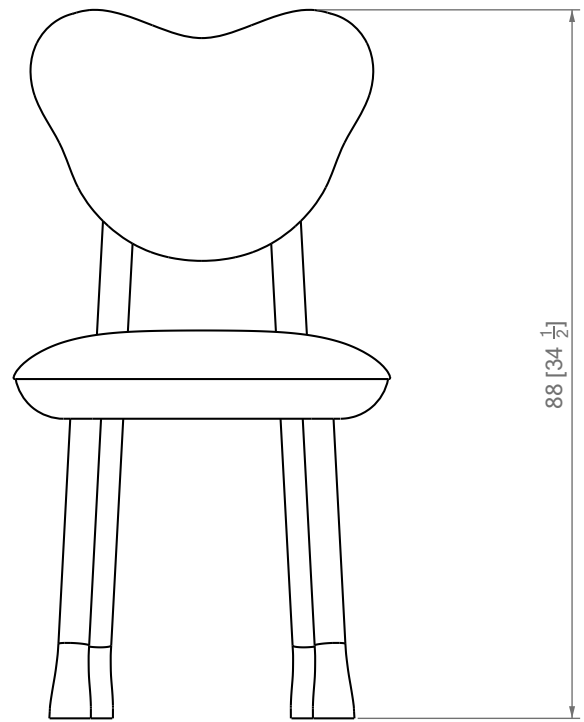
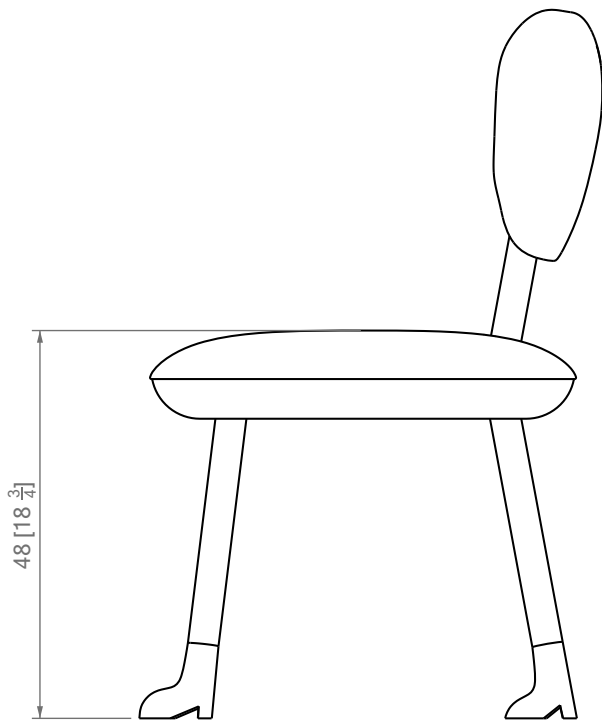


1



2

Weight : 1.2 kg



PIERRE YOVANOVITCH
MOBILIER