



PIERRE YOVANOVITCH

MOBILIER

















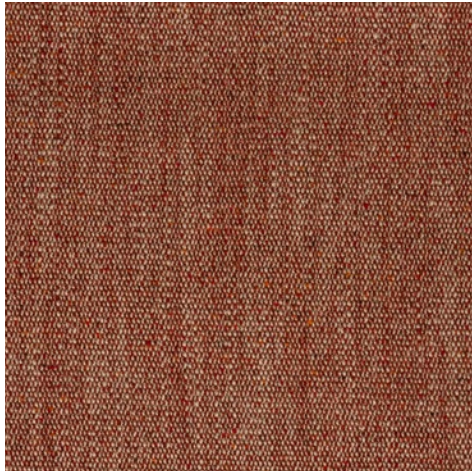
PAPA BEAR Armchair

Materials

FABRIC

1. Blurred Red
2. Foam White
3. Macadamia White
4. Snow Shearling

All sheep skin is handmade using traditional methods one piece at a time. There may be variances in shape and color between pieces. Expect minor distinctions that will make each piece unique and truly one of a kind.



1



2



3



4

WOOD ESSENCES

1. Solid oak, natural oiled finish

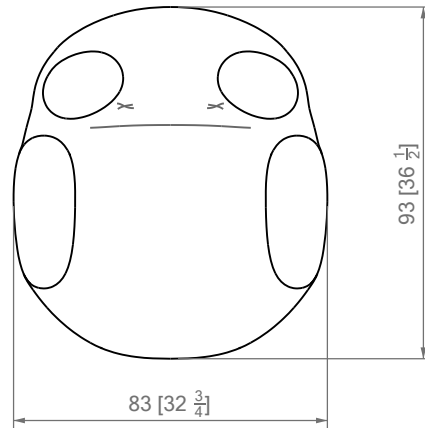
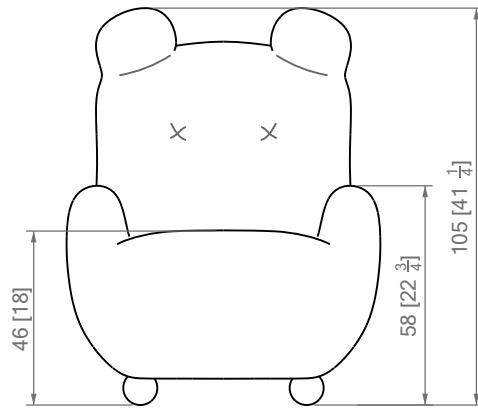
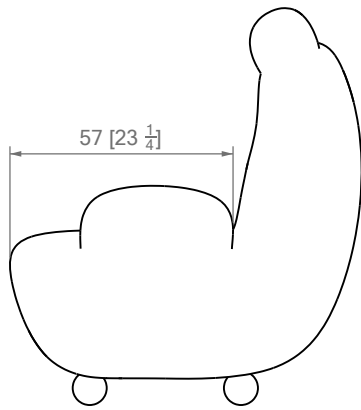
Solid wood is a natural product that responds to changes in temperature and humidity by expanding and contracting. Variation in graining, color and texture are inherent and to be expected.



1

Weight : 30 kg

Fabric requirements: 6 ml | 6.6 yd



PIERRE YOVANOVITCH
MOBILIER