



PIERRE YOVANOVITCH

MOBILIER





TALL ALICE Stool



P Y
MOBILIER

TALL ALICE Stool

WOOD ESSENCES

1. Varnished Solid Walnut

Solid wood is a natural product that responds to changes in temperature and humidity by expanding and contracting. Variation in graining, color and texture are inherent and to be expected.

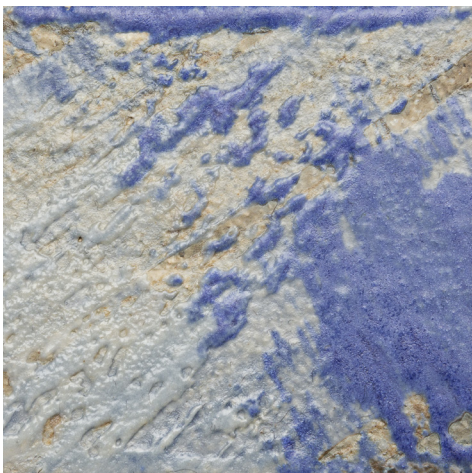


1

GLAZED CERAMIC

1. Monet Blue
2. Comporta White

All ceramics are handmade and integrate traditional methods to texture, fire and glaze one piece at a time. Expect minor distinctions that will make each piece unique and truly one of a kind.



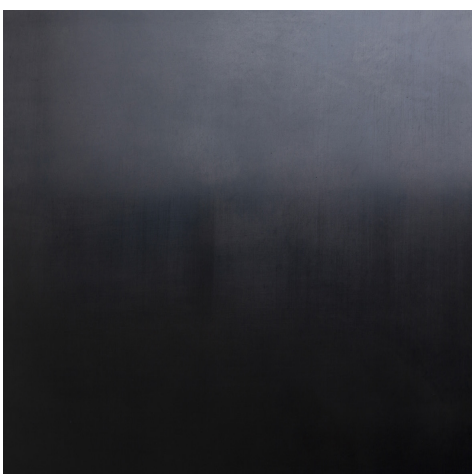
1



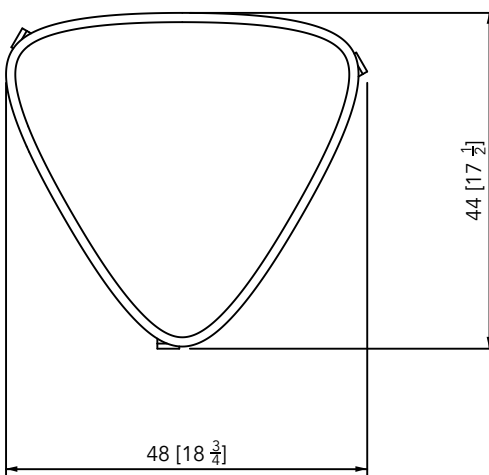
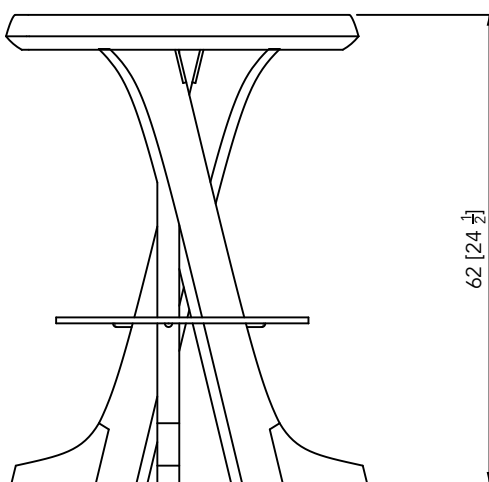
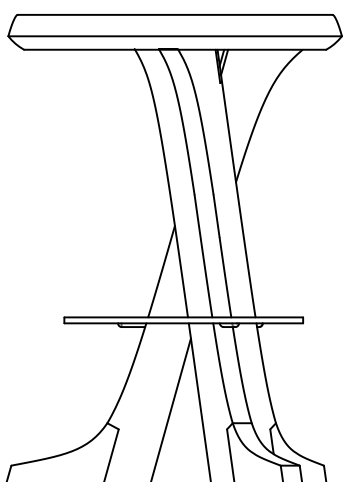
2

METAL

1. Patinated Steel



1



P Y

MOBILIER

PIERRE YOVANOVITCH
MOBILIER