



PIERRE YOVANOVITCH

MOBILIER









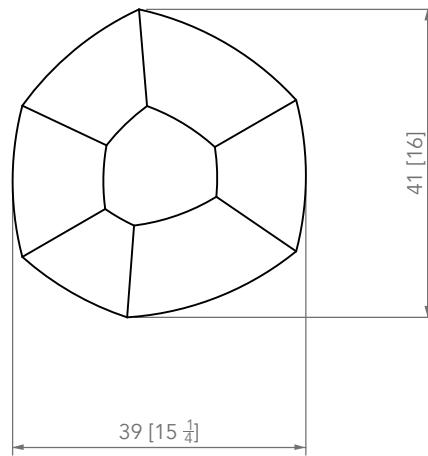
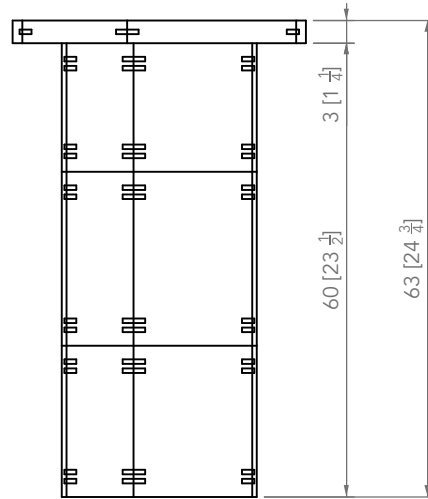
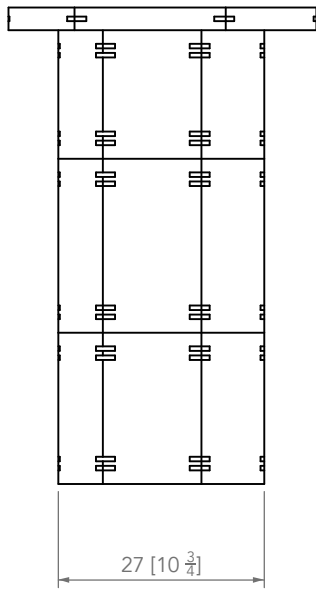
WOOD ESSENCES

1. Oiled Solid Ash

Solid wood is a natural product that responds to changes in temperature and humidity by expanding and contracting. Variation in graining, color and texture are inherent and to be expected.



1



PIERRE YOVANOVITCH
MOBILIER