

DITA Chair

Solid oak, embroidered fabric, metal | H. 89 x L. 49 x l. 58 cm | H. 35 x W. 19.3 x D. 23 in

Limited edition of 10 chairs + 2 AP

















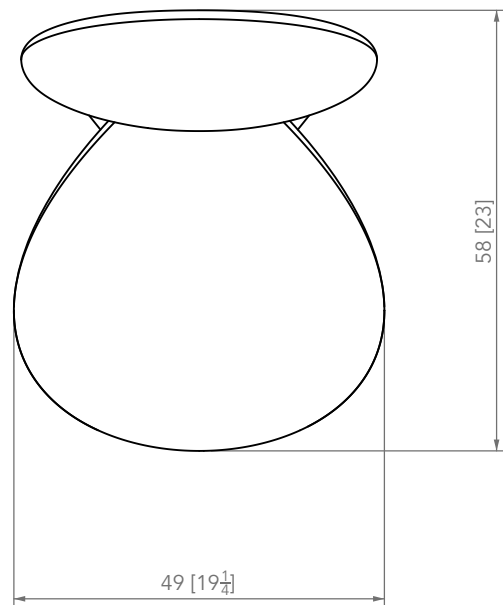
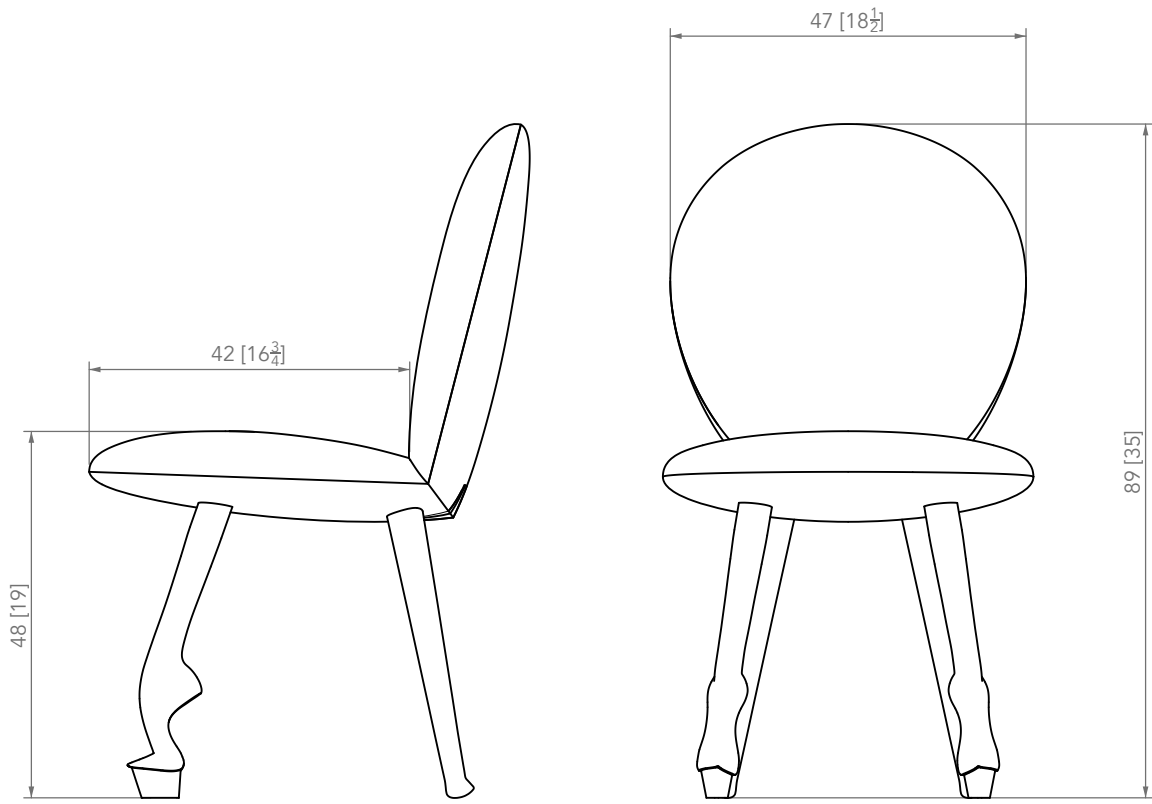
Sequin embroidery by Atelier Montex
on satin fabric



Bleached solid oak



Openwork metal & silver fabric tassel
Red lacquered sole





PIERRE YOVANOVITCH
MOBILIER