

JOSEFINA Chair

Solid oak, embroidered fabric, horn, leather | H. 89 x L. 49 x l. 58 cm | H. 35 x W. 19.3 x D. 23 in

Limited edition of 10 chairs + 2 AP









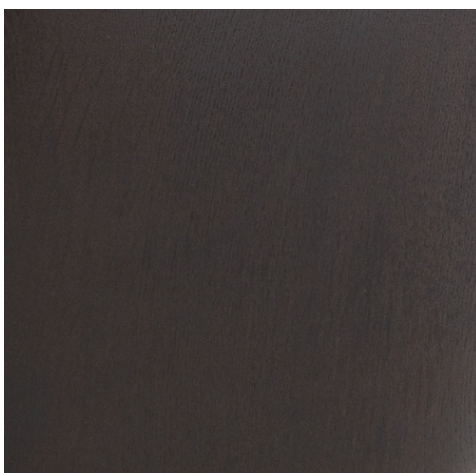








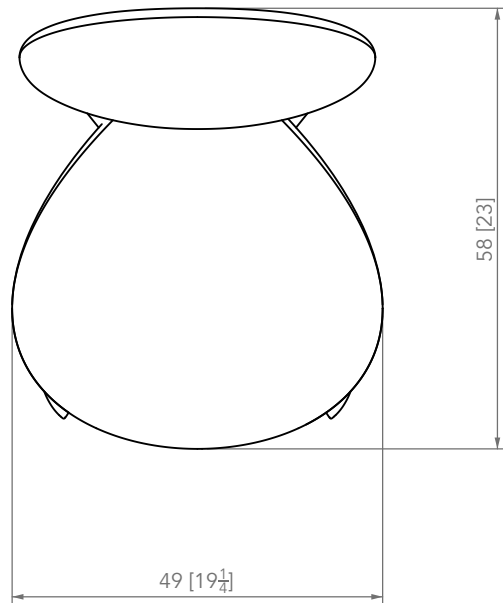
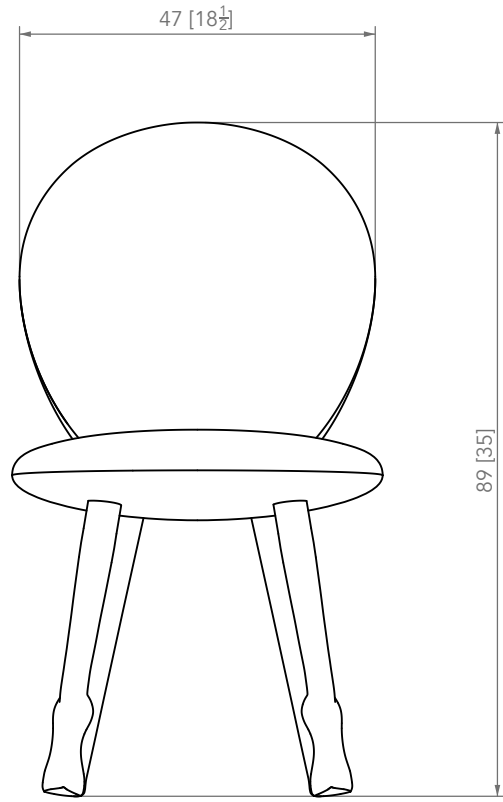
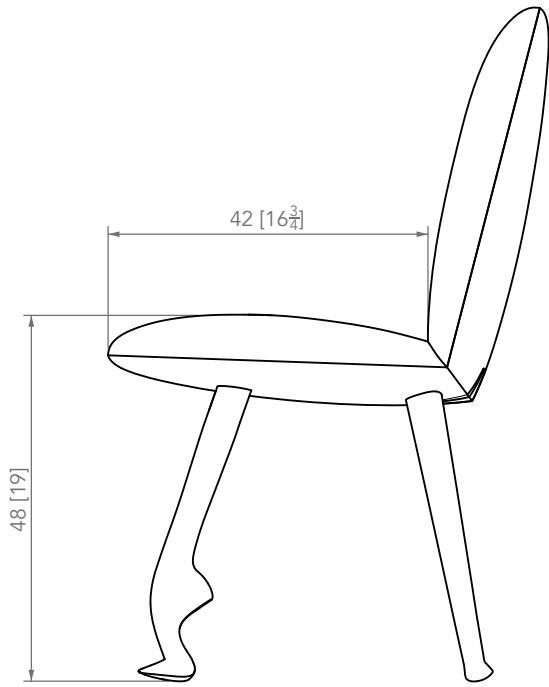
Pearl & yarn embroidery by Atelier Montex



Oiled solid oak
Dark mahogany patina



Leather fringes and horn incrustations
Red lacquered sole





PIERRE YOVANOVITCH
MOBILIER