

POMPADOUR Chair

Solid oak, embroidered fabric, metal | H. 89 x L. 49 x l. 58 cm | H. 35 x W. 19.3 x D. 23 in

Limited edition of 10 chairs + 2 AP



POMPADOUR Chair | Christian Louboutin x Pierre Yovanovitch







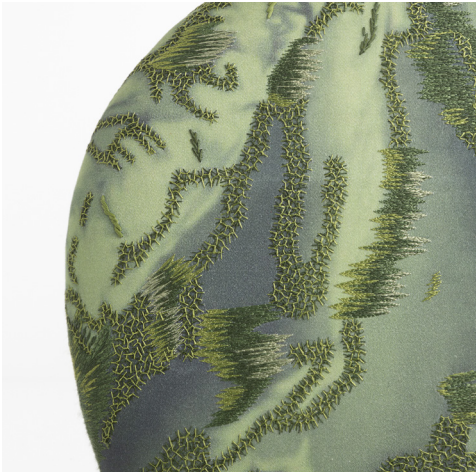
POMPADOUR Chair | Christian Louboutin x Pierre Yovanovitch





POMPADOUR Chair | Christian Louboutin x Pierre Yovanovitch





Embroidery by Maison Vermont on printed satin fabric

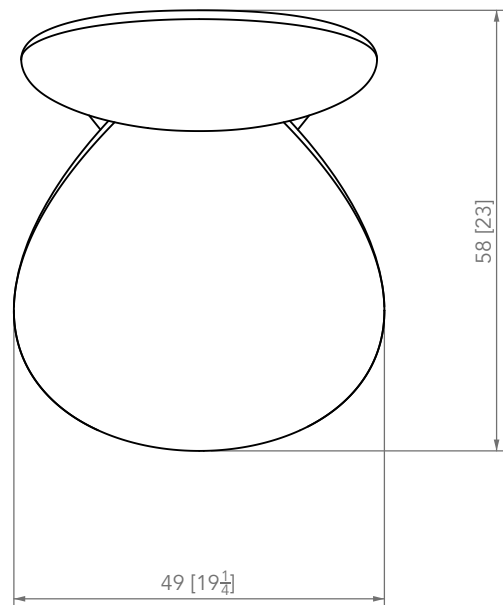
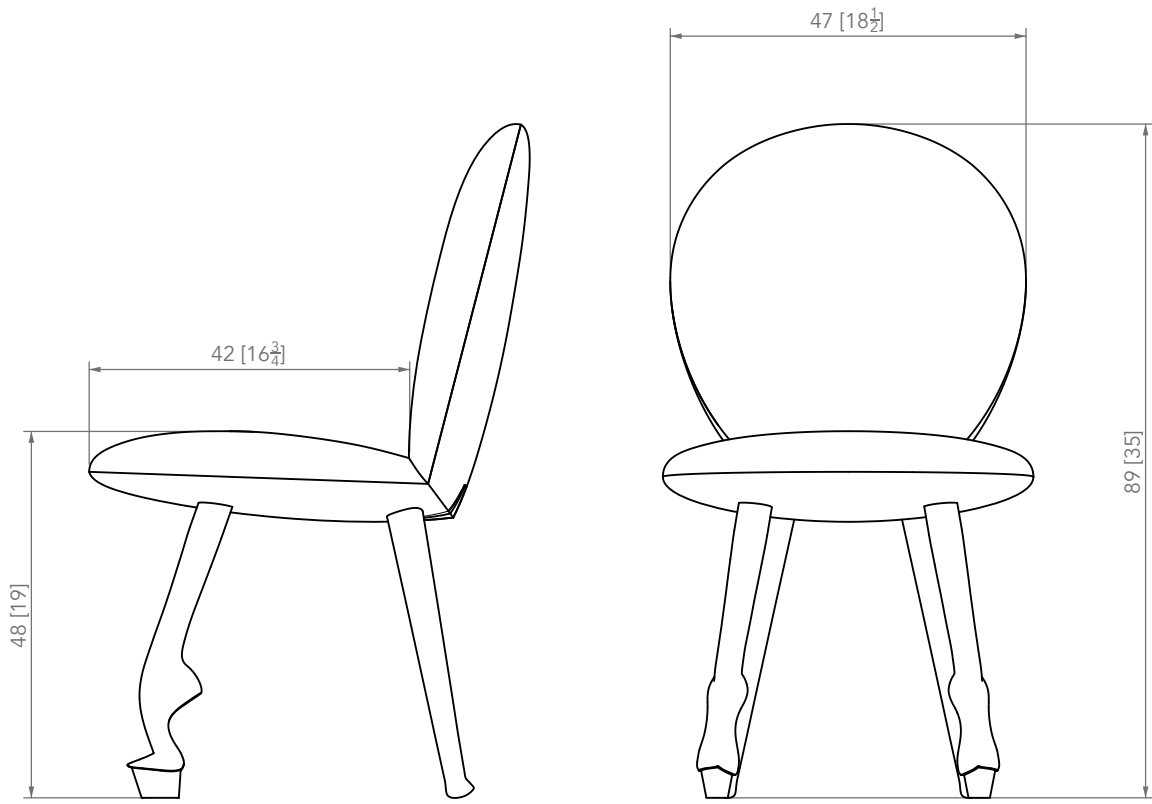


Oiled natural solid oak



Baroque-inspired gilded metal ornament  
Red lacquered sole







PIERRE YOVANOVITCH  
MOBILIER