

SYRENA Chair

Solid oak, embroidered fabric, fishnet | H. 89 x L. 49 x l. 58 cm | H. 35 x W. 19.3 x D. 23 in

Limited edition of 10 chairs + 2 AP





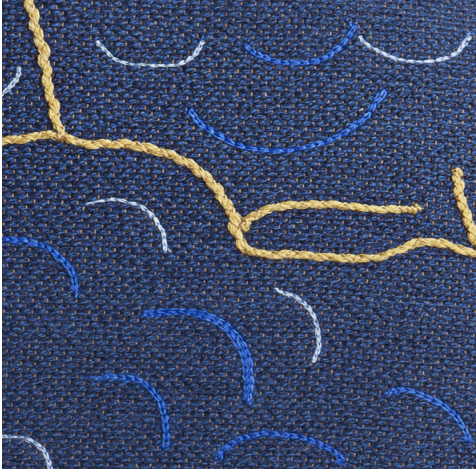












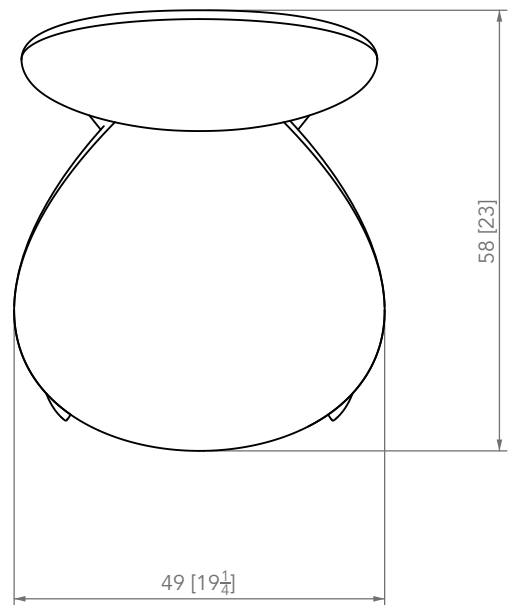
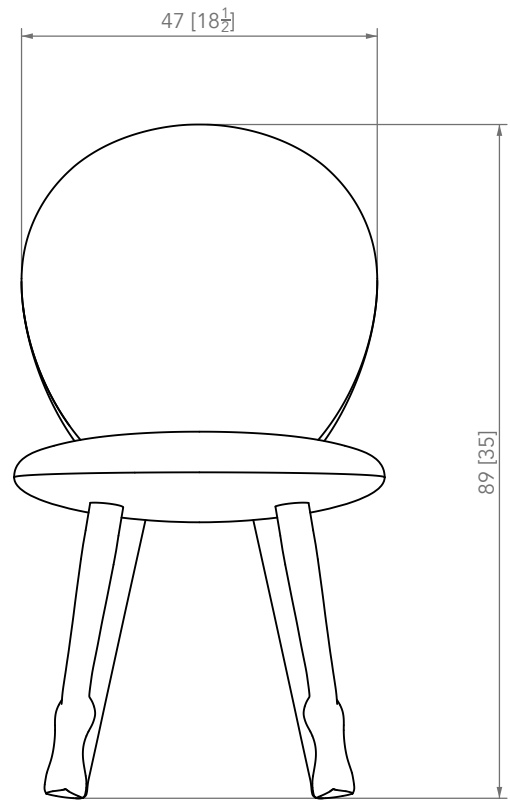
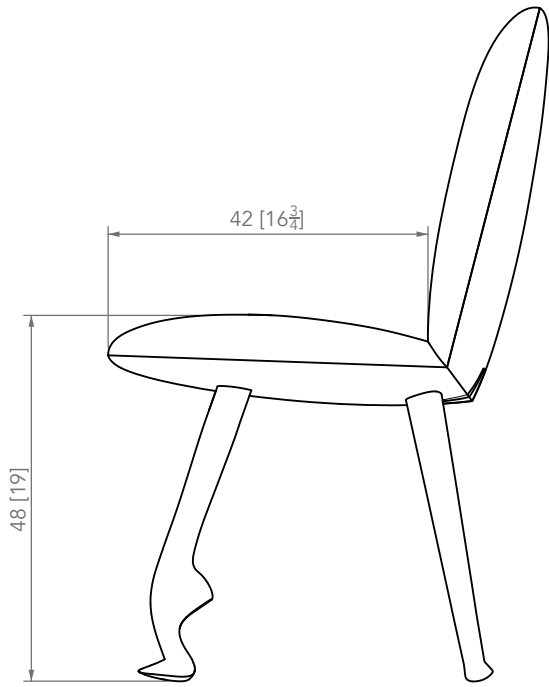
Embroidery on cotton fabric by Maison Lesage



Oiled solid oak
Brown patina



Nude fishnet tights
Red leather sole





PIERRE YOVANOVITCH
MOBILIER