

ZENOBIE Chair

Solid oak, embroidered fabric, turquoise gemstone | H. 89 x L. 49 x I. 58 cm | H. 35 x W. 19.3 x D. 23 in

Limited edition of 10 chairs + 2 AP





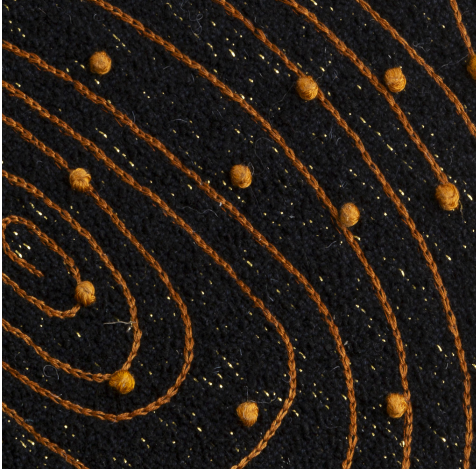












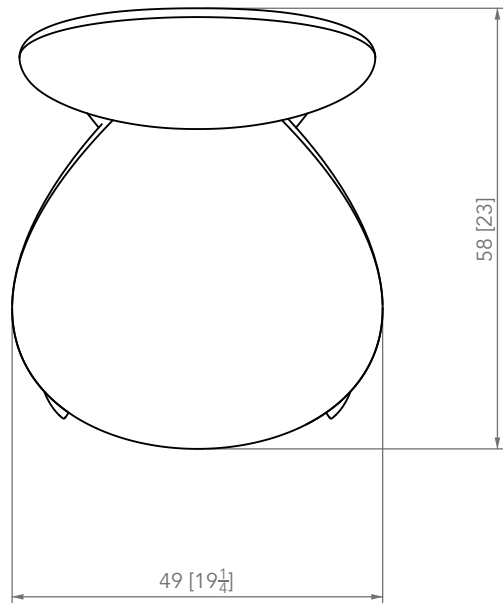
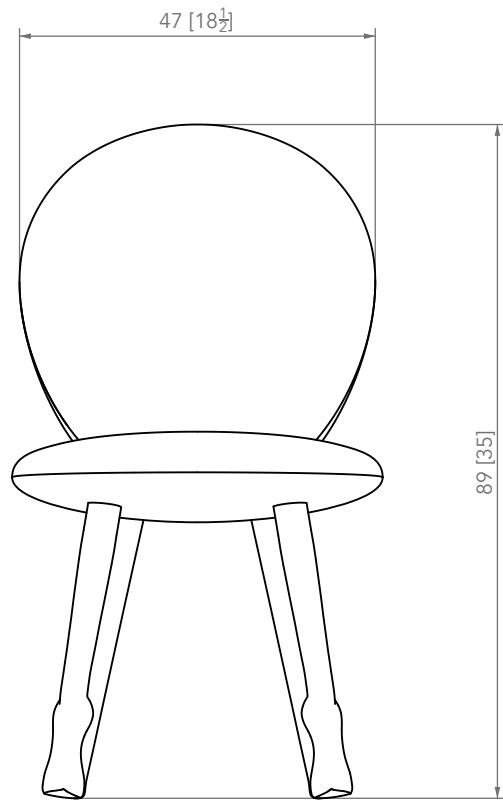
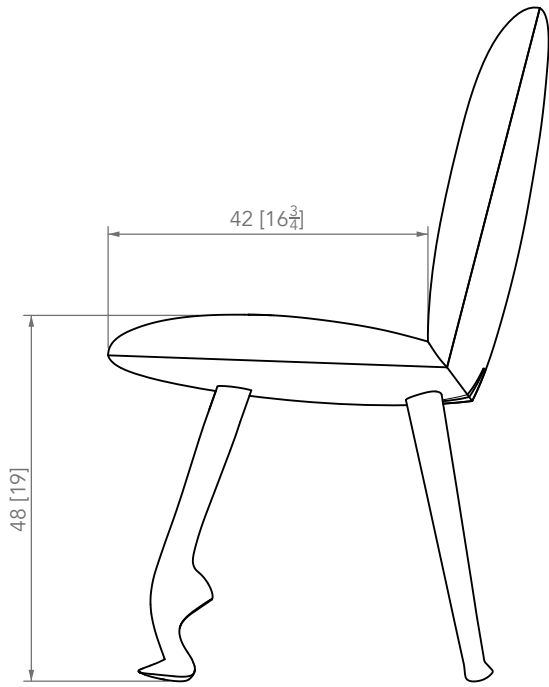
Embroidery by Maison Lesage on wool
& cotton fabric with lurex yarn



Oiled solid oak
Medium mahogany patina



Turquoise gemstone incrustations
Red lacquered sole





PIERRE YOVANOVITCH
MOBILIER